

11688 N 1200 W, • Ligonier, IN 46767  
 574-642-5010 • F 574-642-5011

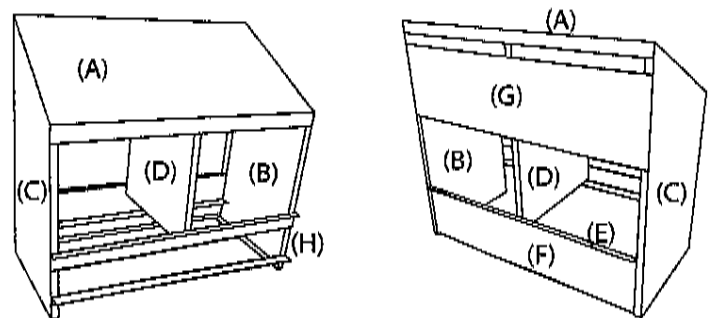
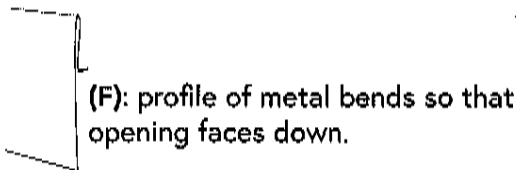
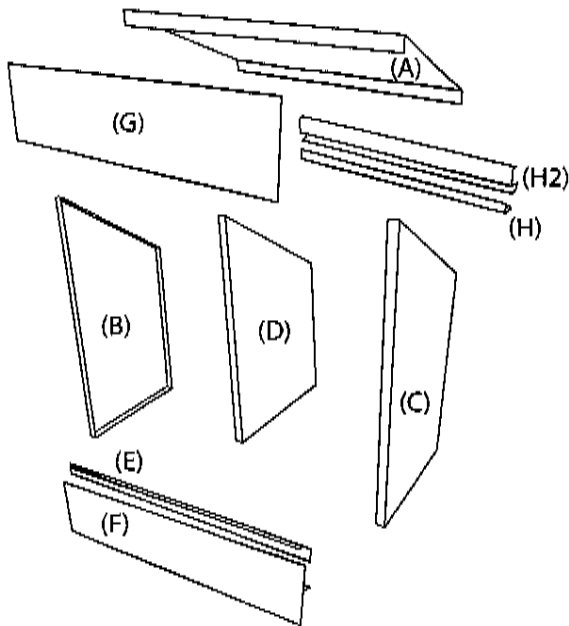
# REAR ACCESS NEST ASSEMBLY INSTRUCTIONS

**Step 1:** Bolt Top (A) to left and right ends (B & C) and middle divider (D)

**Step 2:** Bolt frontpiece (H2) & J-channel (H) to left and right ends (B & C) and middle divider (D)

**Step 3:** Bolt back (F) and step (E) to left and right ends (B & C) and middle divider (D) (Note E & F go under the edges of B & C.)

**Step 4:** Bolt 6¾ Wide Flat Panel (G) to (B & C)

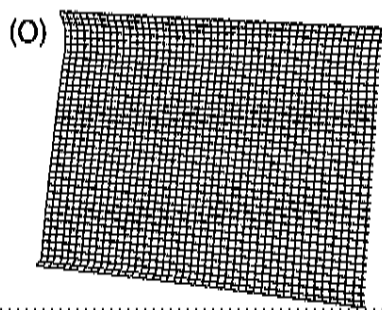
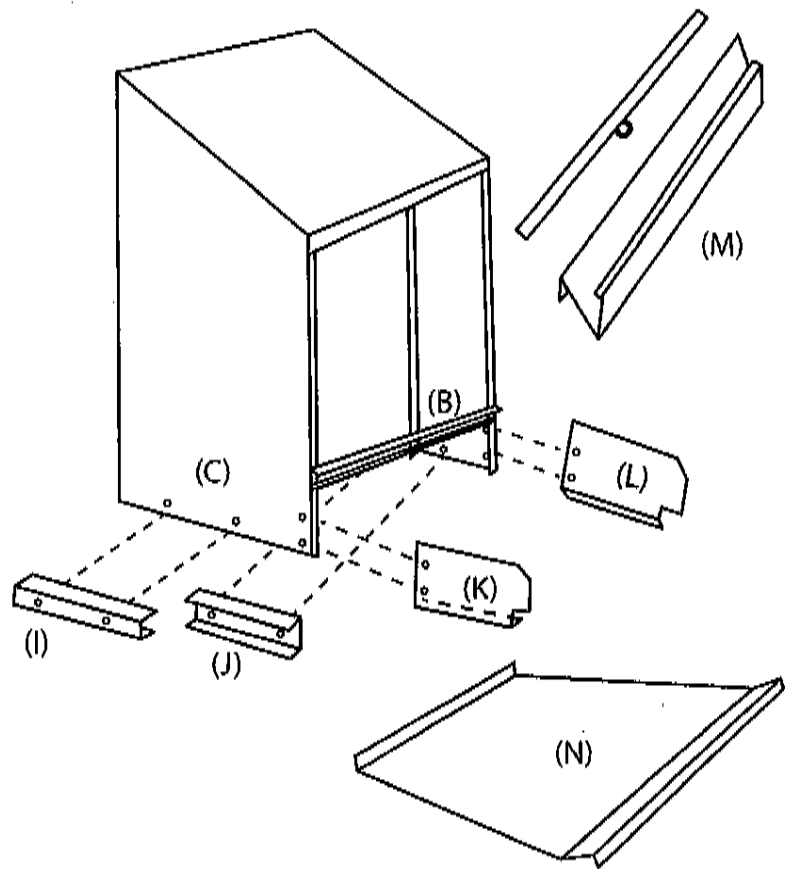


**Step 5:** Bolt Floor Channels (I & J) to inside of left and right ends (C & B)

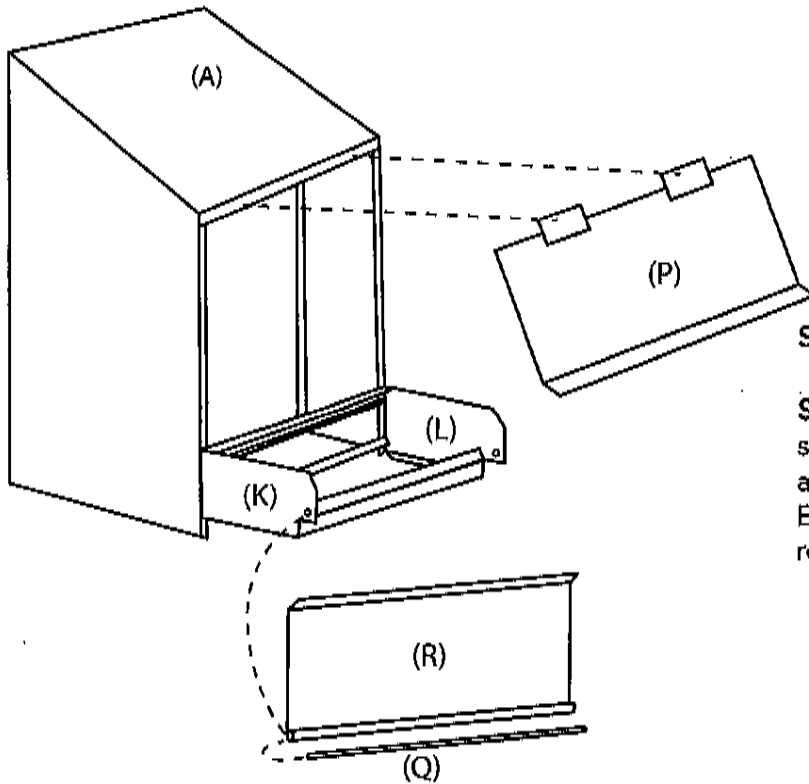
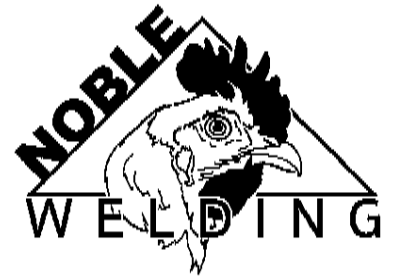
**Step 6:** Bolt Egg Tray Ends (K & L) to left and right ends (C & B)

**Step 7:** Attach Egg Tray Front (M) to bottom corners of Egg Tray Ends

**Step 8:** Insert Litter tray (N) single-bend end first into floor channels (I & J). Insert Metal mesh (O) single-bend end first on top of tray.



# ASSEMBLY INSTRUCTIONS (CONT.)

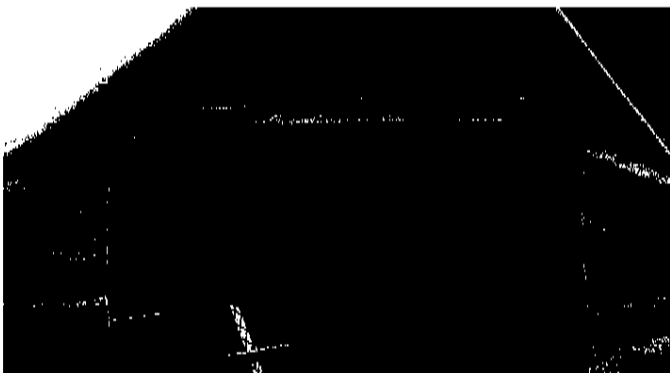
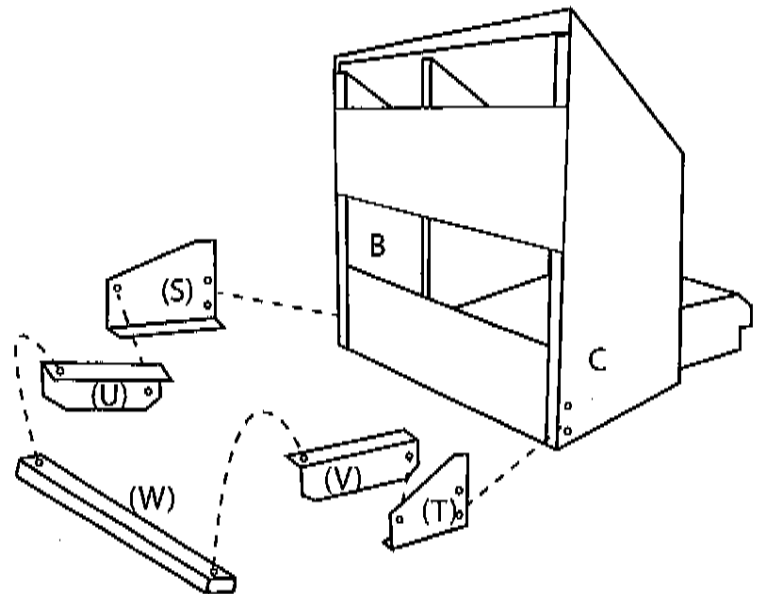


**Step 9:** Bolt Hinged Door (P) to Top (A)

**Step 10:** Hammer rod cap on one end of rod (Q) slide rod through Egg Tray End (K) then through access lid (R) then through the second Egg Tray End (L). Hammer second rod cap on other end of rod.

**Step 11:** Fasten Perch Bracket Holders(S & T) to Sides (B & C). Fasten Perch Brackets(U & V) to Bracket Holders(S & T)

**Step 12:** Fasten Wooden Perch (W) to Perch Brackets (U & V).



**Step 13:** When ready to hang nesting box, use two self-tapping hex screws to attach hanger. Hangers will go over the canvas as shown.

