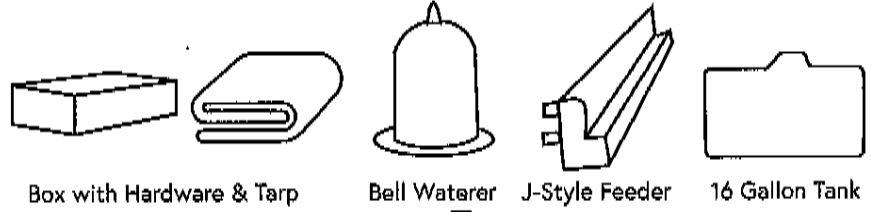




Noble Welding • 574-642-5010 x3
11688 N 1200 W, Ligonier, IN 46767

MOBILE BROILER COOPS 9 X 16 or 9x24

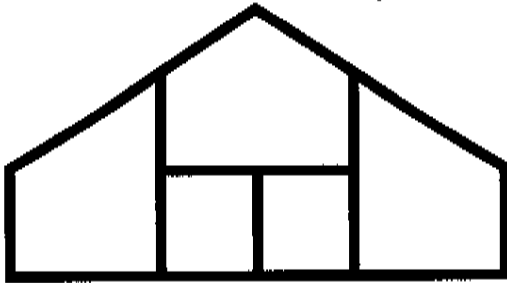


Box with Hardware & Tarp

Bell Waterer

J-Style Feeder

16 Gallon Tank



Back Wall



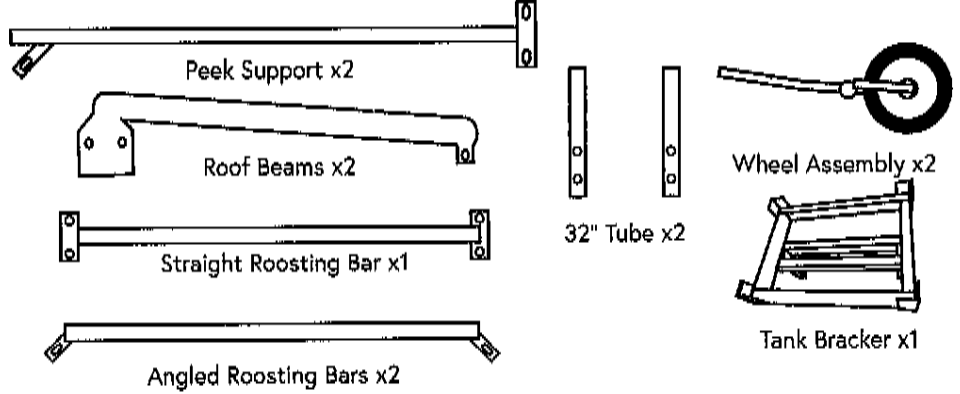
Front Wall



Side Walls



Center Side Walls



Peek Support x2

Roof Beams x2

Straight Roosting Bar x1

Angled Roosting Bars x2

32" Tube x2

Wheel Assembly x2

Tank Bracker x1

ASSEMBLY INSTRUCTIONS

Step 1: Layout coop walls on ground in open area, netting side up as netting should be installed on the inside of the coop. (Suggested 20' x 30' working area). Attach side wall front and back on each side with listed hardware. (See Figure 2). Stand up side walls and front wall. Attach with listed hardware.

Parts needed: Front and Back Walls, Side Wall Front x2, Side Wall Back x2. Side Panel Hardware Bag.

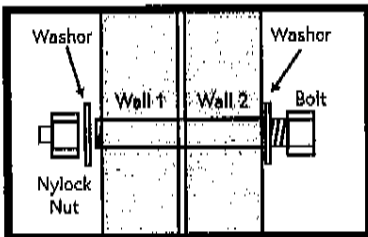
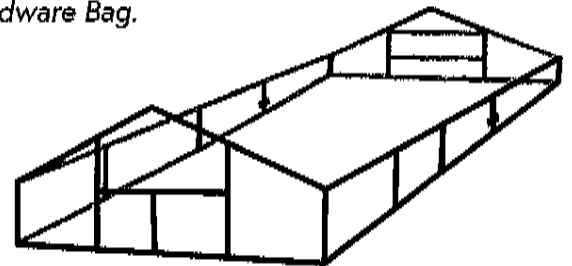
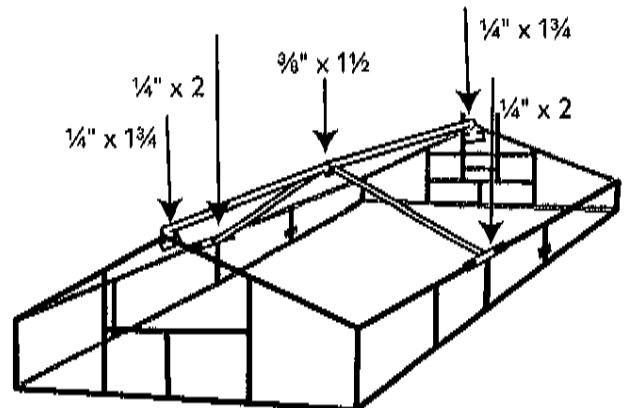


Figure 1

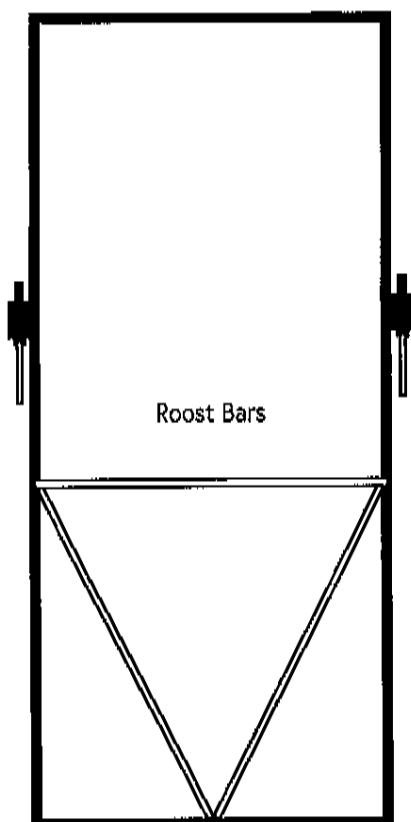
Best done with two people. Can be done with just one. Stand peak supports together, peak supports can rest on the walls. Use one bolt to secure the beams in the center on either side of where the peak comes together. It is best to leave this center bolt loose for now. With the four roof components loosely held together attach the outer end of the beams to the front and back wall at their peaks.



Once the beams are secured return to the center and tighten the main bolt. Attach the bottom of each support to the appropriate spot on the walls.

Parts Needed: Roof Beam x2, Peek Support x 2, Peek Hardware Bag

ASSEMBLY INSTRUCTIONS (CONT.)



Top View

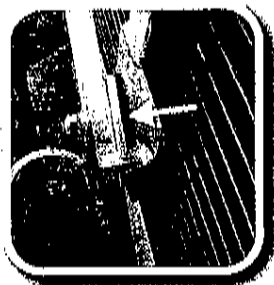


Figure 4

When the roof is complete lay out the roost bars and attach to the sides. Attach the wheel assemblies to the outside of the coop. Make special note of the plastic washer. This should be between the assembly and the coop side (figure 4).

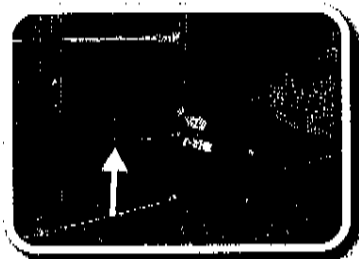
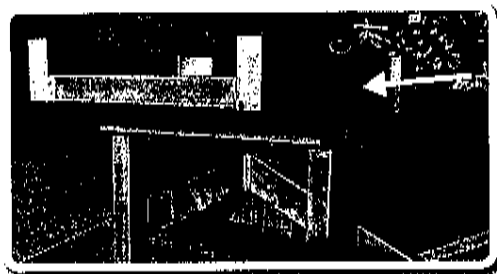
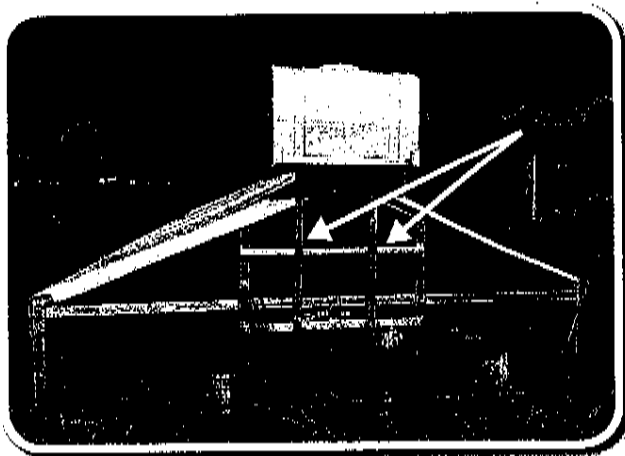


Figure 5

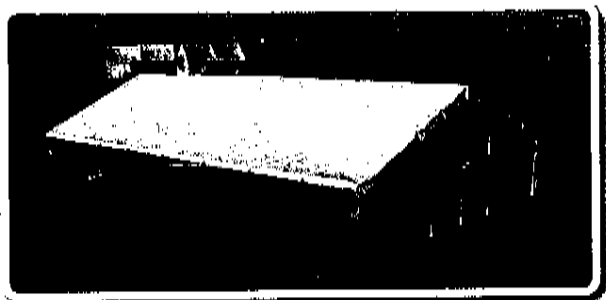
Attach hook to wheel assembly arm as shown in figure 5.

Parts Needed: Straight Roosting Bars x3, Wheel Assembly x 2, Roost Bar Hardware.

32" Tubes bolt onto back panel. Slide tank bracket into top of tubes.



Tank Bracket in place; slides into the 32" tubes attached at rear wall.



Unfold tarp, lay out over coop and attach with bungee cords.

Parts Needed: Tarp, Bungee cords.